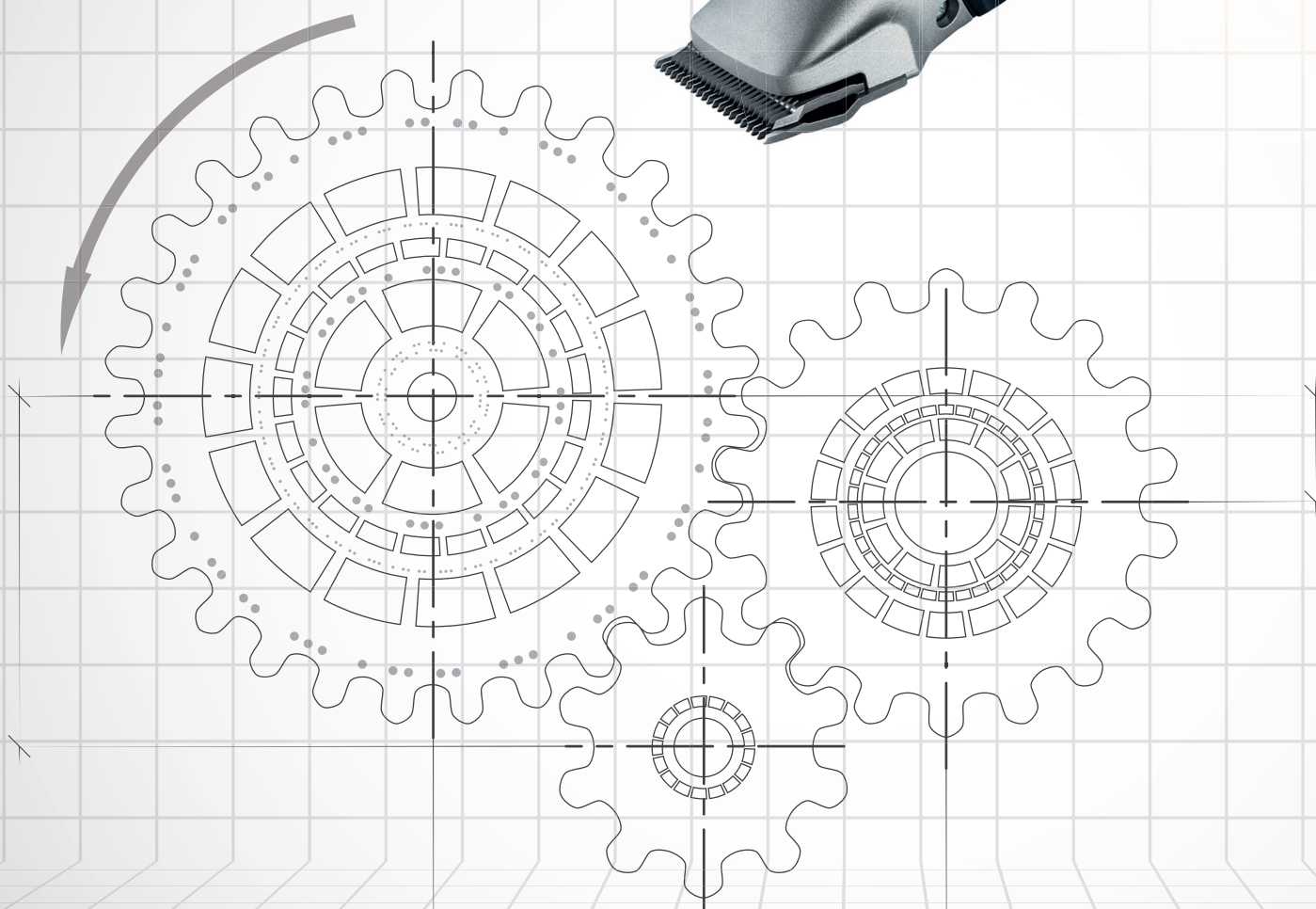
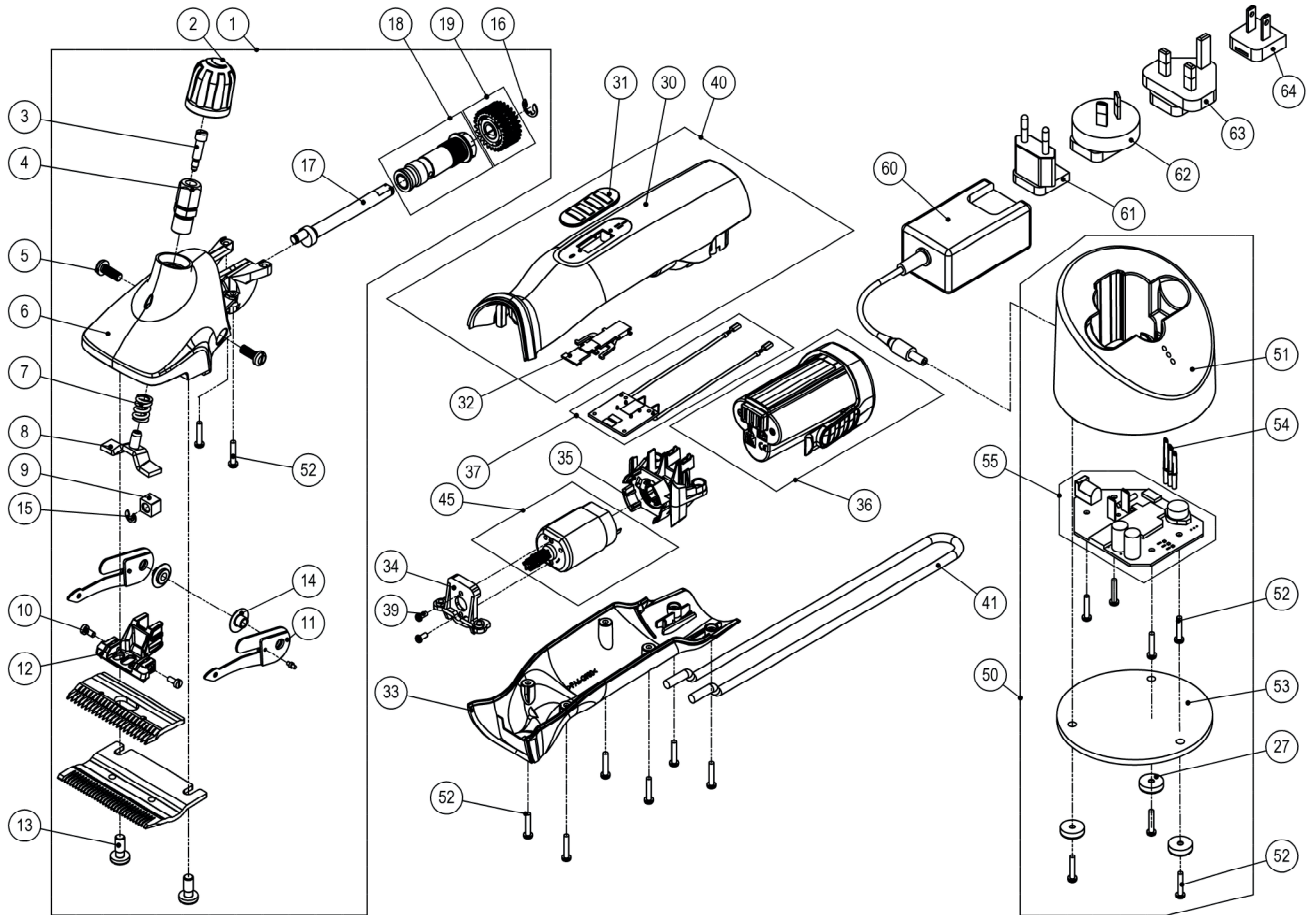


HEINIGER XPLORES



SPARE PARTS



	N°
Clipper head cattle complete w/o blades	1
Tension nut cattle black	2
Distance screw	3
Tension sleeve	4
PH-Screw M5 X 14	5
Clipper head case	6
Pressure spring	7
Pressure plate	8
Crank drive block	9
Socket head cap screw partially threaded M3 X 6	10
Laminated spring	11
Driving carrier	12
Comb screw cattle/horse	13
Centering bush complete	14
Circlip for shaft size 3.73	15
Circlip for shaft size 6	16
Crankshaft cattle	17
Crank spindle sleeve complete	18
Cogwheel Z27 cattle	19
Rubber foot	27
Motor housing, upper Heiniger	30
Switch lever black	31
Catch spring for switch with contact	32
Motor housing, lower black	33
Motor holder at front	34
Motor holder at rear	35

	N°
Li-Ionic battery 10.8V / 2.6 Ah Heiniger	36
PCB clipper	37
Switch contact	38
PH-Screw M2.6 x 6	39
Motor housing upper, Heiniger complete	40
Cord	41
Motor complete	45
Charger Heiniger	50
Housing for charger Heiniger	51
PT-screw Kombitorx KA 30 x 16	52
Baseplate to charger	53
Light conductor to charger	54
PCB charger	55
Power supply unit 110-240V Xplorer incl. plug EU	60
Plug EU	61
Plug AU	62
Plug GB	63
Plug GB	64

